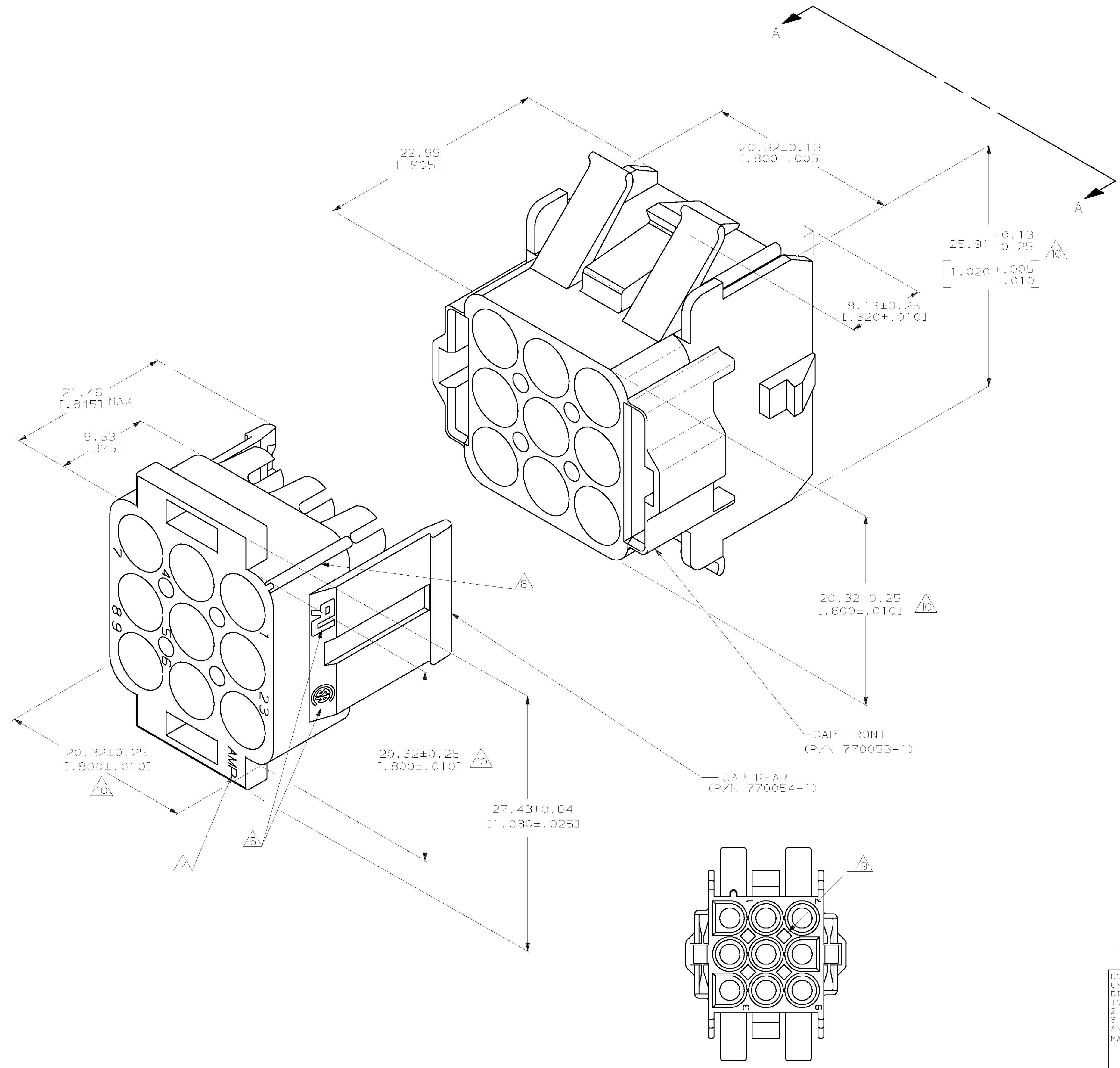
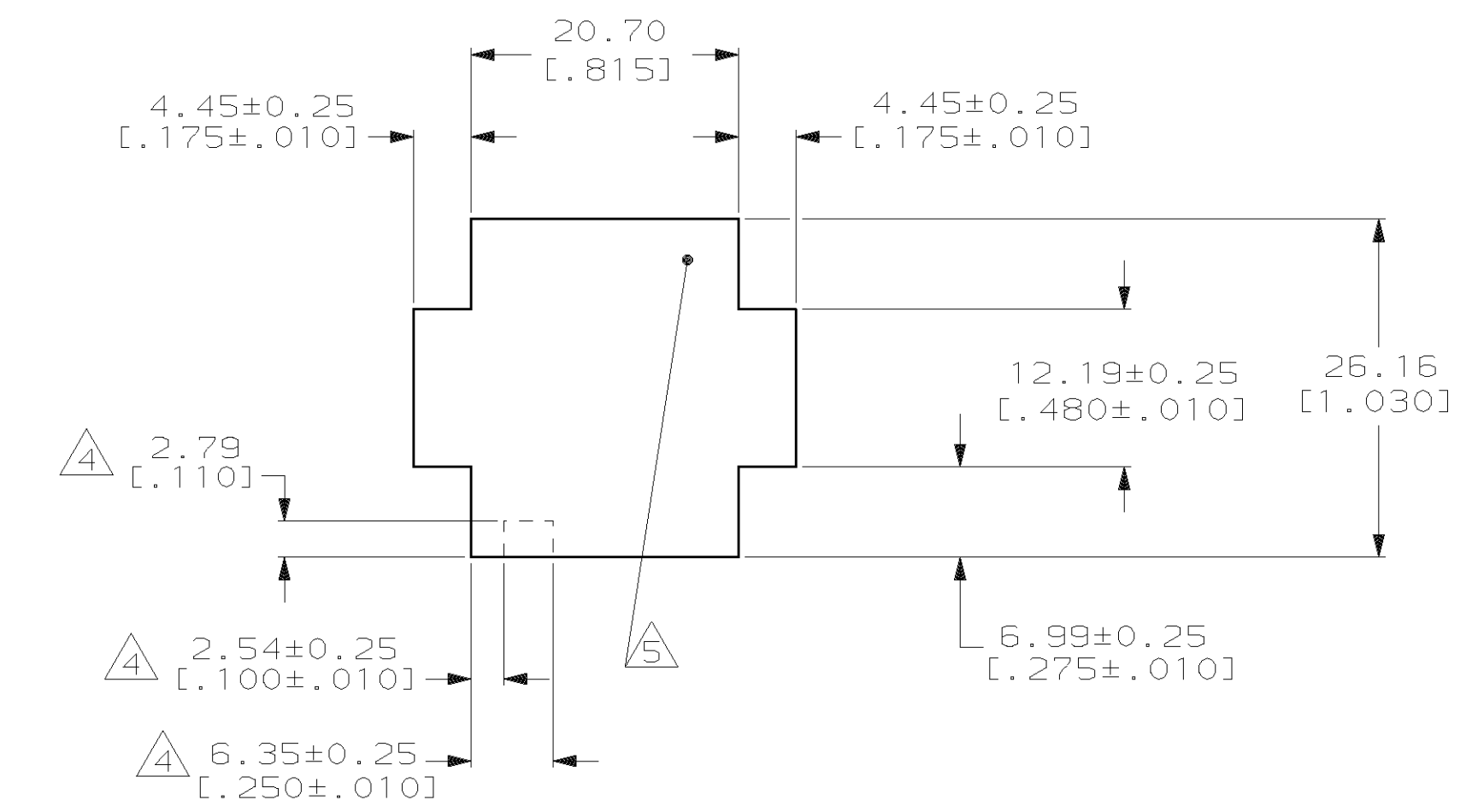


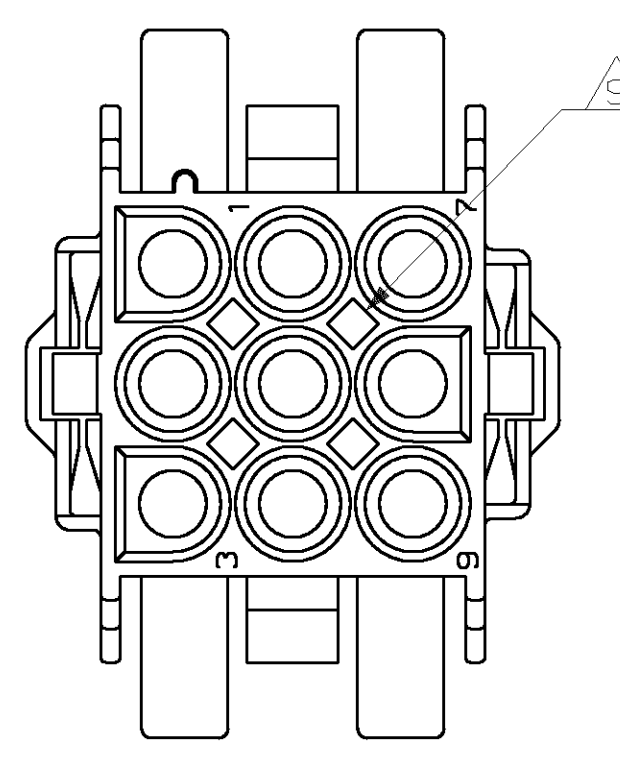
LOC		DIST		P		F		ZONE		LTR		REVISIONS		
CM	53											DESCRIPTION	DATE	APPD
												REV PER EC 063B-0114-02	19-MAR-02	KW



1. BULK PACKAGED, UNASSEMBLED.
2. RECOMMENDED PANEL THICKNESS 0.76-2.29 [0.030-.090].
3. PANEL MUST BE PUNCHED SO THAT THE HOUSING ENTERS THE PANEL IN THE SAME DIRECTION AS THE PUNCH.
4. OPTIONAL FOR KEYING HOUSING IN PANEL.
5. CIRCUIT NO. 1 LOCATON.
6. APPROVAL AGENCY LOGO LOCATED APPROXIMATELY AS SHOWN.
7. AMP LOGO LOCATED THIS SURFACE.
8. CIRCUIT NUMBER ONE IDENTIFICATION RIB AND CIRCUIT IDENTIFICATION NUMBERS ARE EACH LOCATED ADJACENT TO THE APPROPRIATE CIRCUIT CAVITIES.
9. OPTIONAL CONSTRUCTION PROVIDES ROUND MATERIAL REDUCTION CORING HOLES.
10. DIMENSION INDICATED IS AS MOLDED. ADDITIONAL GROWTH DUE TO SUBSEQUENT MOISTURE ABSORPTION MAY OCCUR.



RECOMMENDED PANEL CUTOUT  
 (HOUSING ENTRY SIDE)  
 SCALE 2:1



VIEW A-A  
 SCALE 2:1



770028-1  
 PART NUMBER

DO NOT SCALE PRINT. UNLESS SPECIFIED DIMENSIONS IN INCHES TOLERANCES ON:		DR 1-22-92 K. SALMON		AMP INCORPORATED Harrisburg, Pa. 17105	
1 PLC DEC ±	0.13 [0.005]	CHK 1-22-92 R. SWING		NAME	
2 PLC DEC ±		APPD 1-22-92 M. TRULL		CAP HOUSING KIT, 9 CIRCUIT, UNIVERSAL MATE-N-LOK™ II	
3 PLC DEC ±		APPD 1-22-92 M. TRULL		PART NO	
ANGLES ±		PRODUCT SPEC		770028	
MATERIAL	NYLON, UL94V-0,	APPLICATION SPEC		SIZE	D 00779
FINISH		WEIGHT		FSCM NO	00779
				DRAWING NO	770028
				SCALE	5:1
				SHEET	1 OF 1